

Engine	WeiChai WP6G125E201
Gross Power	92 kW (124 hp) @ 2,000 rpm
Net Power	85 kW (114 hp) @ 2,000 rpm
Operating Weight	10,300 kg
Standard Bucket Size	1.8 m ³
Standard Breakout Force	105 kN
Standard Dump Clearance	2,920 mm

835H

WHEEL LOADER

 **LIUGONG**



TOUGH WORLD. TOUGH EQUIPMENT.

835H SPECIFICATIONS >>>

ENGINE

Emission Regulation	Tire 2 / Stage II
Make	WeiChai
Model	WP6G125E201
Gross Power	92 kW (124 hp) @ 2,000 rpm
Net Power	85 kW (114 hp) @ 2,000 rpm
Peak Torque	560N.m@1200~1400rpm
Displacement	6.75L
Number of Cylinder	6
Aspiration	Turbocharged

TRANSMISSION

Transmission Type	Planetary, power shift
Torque Converter	Double stage, four elements
Maximum Travel Speed, fwd	38 km/h
Maximum Travel Speed, rev	17 km/h
Number of Speed, fwd	2
Number of Speed, Rev	1

AXLES

Differential Front Type	Conventional
Differential Rear Type	Conventional
Axle Oscillation	±11°

STEERING

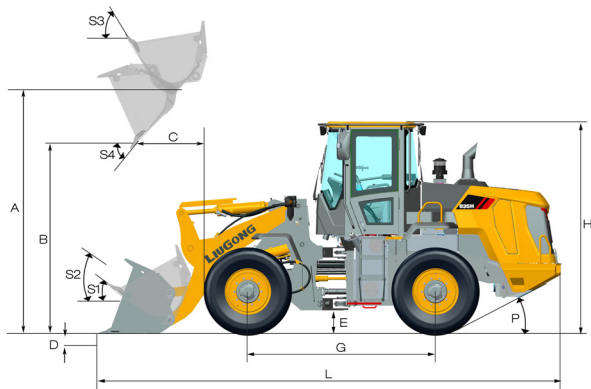
Steering Configuration	Articulated
Steering Relief Pressure	17.2 MPa

BRAKES

Service Brake Type	Caliper discs brake
Service Brake Actuation	Air over hydraulic
Parking Brake Type	Flexible shaft control
Parking Brake Actuation	Mechanical

HYDRAULIC SYSTEM

Main Pump Type	Gear
Main Relief Pressure	18 MPa
Raise	4.7 s
Dump Time	1.0 s
Float Down Time	3.1 s
Fastest Total Cycle Time	8.8 s



LOADER ARM PERFORMANCE with Standard Bucket 1.8 m³

Tipping Load - Straight (ISO 14397-1:2007)	7,800 kg
Tipping Load - Full Turn (ISO 14397-1:2007)	6,700 kg
Bucket Breakout Force	105 kN
A Maximum Hinge Pin Height	3,730 mm
B Dump Clearance at Full Height Discharge	2,920 mm
C Dump Reach at Full Height Discharge	1,014 mm
D Maximum Digging Depth, Bucket Level	40 mm
S ₁ Rollback at Ground Level	41°
S ₂ Bucket Rollback at Carry	48°
S ₃ Bucket Rollback at Maximum Height	61°
S ₄ Maximum Dump Angle at Full Height	45°

BUCKET PERFORMANCE

Reference Bucket	1.5-3.0 m ³
------------------	------------------------

DIMENSIONS

E Ground Clearance	345 mm
G Wheelbase	2,870 mm
H Cab Height	3,232 mm
J Wheel Tread	1,850 mm
K Width Over Tires	2,300 mm
L Length with Bucket Down	7,010 mm
M Turn Angle, Either Side	40°
P Rear Angle of Departure	29°
R ₁ Turning Radius, Bucket Carry	5,617 mm
R ₂ Turning Radius, Outside of Tire	5,090 mm
W Width Over Bucket	2,460 mm

TIRES

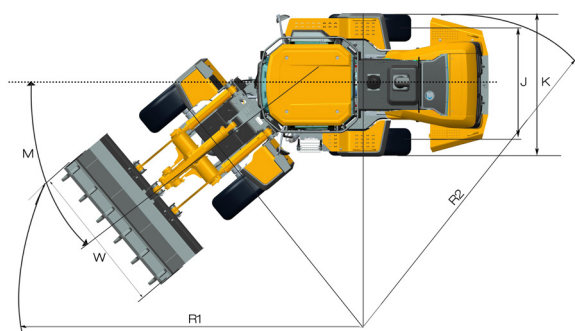
Tire Size	17.5 - 25
-----------	-----------

OPERATING WEIGHTS

Operating Weight	10,300 kg
------------------	-----------

SERVICE CAPACITY

Fuel Tank	140 L
Engine Oil	18 L
Cooling System	35 L
Hydraulic System	88 L
Transmission and Torque Converter	45 L
Axles, Each	16 L



Guangxi Liugong Machinery Co., Ltd.

No. 1 Liutai Road, Liuzhou, Guangxi 545007, PR China
 T: +86 772 3886124 E: overseas@liugong.com
 www.liugong.com

07/2018 Designed by LiuGong

Specifications and designs are subject to change without notice. Machines shown may include optional equipment. LiuGong standard and optional equipment may vary from region to region. Please consult your LiuGong dealer for information specific to your area.