

<b>Engine</b>	Cummins QSM11
<b>Gross Power</b>	261 kW (350 hp) @ 2,100 rpm
<b>Net Power</b>	248 kW (332 hp) @ 2,100 rpm
<b>Operating Weight</b>	30,400 kg
<b>Standard Bucket Size</b>	5.4 m <sup>3</sup>
<b>Standard Breakout Force</b>	245 kN
<b>Standard Dump Clearance</b>	3,330 mm

# 890H WHEEL LOADER



TOUGH WORLD. TOUGH EQUIPMENT.

# 890H SPECIFICATIONS >>>

ENGINE	
Emission Regulation	Tier 2/ Stage II
Make	Cummins
Model	QSM11
Gross Power	261 kW (350 hp) @ 2,100 rpm
Net Power	248 kW (332 hp) @ 2,100 rpm
Peak Torque	1,776 N · m
Displacement	10.8 L
Number of Cylinders	6
Aspiration	Turbocharged & Air-to-air intercooled

TRANSMISSION	
Transmission Type	Countershaft, power shift
Torque Converter	Single stage, three elements
Maximum Travel Speed, fwd	38.2 km/h
Maximum Travel Speed, rev	26.5 km/h
Number of Speeds, fwd	4
Number of Speeds, rev	3

AXLES	
Differential Front Type	Limited slip
Differential Rear Type	Conventional
Axle Oscillation	± 13°

STEERING	
Steering Configuration	Articulated
Steering Relief Pressure	20.7 MPa

BRAKES	
Service Brake Type	Wet discs brake
Service Brake Actuation	Hydraulic
Parking Brake Type	Manual electronic control
Parking Brake Actuation	Hydraulic

HYDRAULIC SYSTEM	
Main Pump Type	Piston
Main Relief Pressure	26 MPa
Raise	6 s
Dump Time	1.6 s
Float Down Time	3.4 s
Fastest Total Cycle Time	11 s

LOADER ARM PERFORMANCE	
Tipping Load - Straight	25,827 kg
Tipping Load - Full Turn	22,582 kg
Bucket Breakout Force	245 kN
Maximum Dump Angle at Full Height	45°
Dump Clearance at Full Height Discharge	3,330 mm
Dump Reach at Full Height Discharge	1,479 mm
Maximum Hinge Pin Height	4,572 mm
Maximum Digging Depth, Bucket Level	142 mm
Bucket Rollback at Ground Level	45°
Bucket Rollback at Carry	49°
Bucket Rollback at Maximum Height	62°

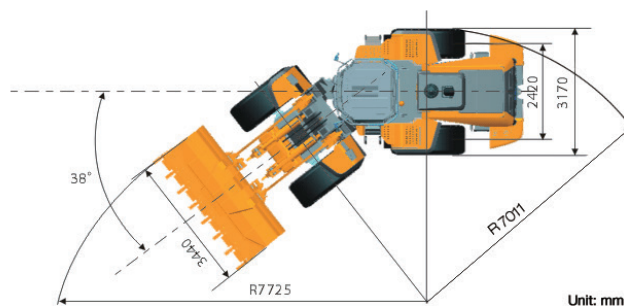
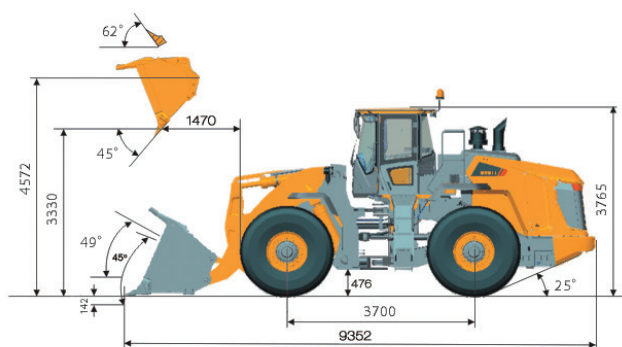
BUCKET PERFORMANCE	
Reference Bucket	5.4 m <sup>3</sup>

DIMENSIONS	
Length with Bucket Down	9,352 mm
Width Over Tires	3,170 mm
Wheelbase	3,700 mm
Wheel Tread	2,420 mm
Ground Clearance	476 mm
Turn Angle, Either Side	38°
Rear Angle of Departure	25°
Turning Radius, Outside of Tire	7,011 mm
Turning Radius, Center of Tire	6,583 mm
Turning Radius, Bucket Carry	7,725 mm

TIRES	
Tire Size	29.5 - 25

OPERATING WEIGHTS	
Operating Weight	30,400 kg

SERVICE CAPACITY	
Fuel Tank	483 L
Engine Oil	33 L
Cooling System	41 L
Hydraulic Reservoir	402 L
Transmission and Torque Converter	70 L
Axles, each	65 L



Unit: mm

## Guangxi Liugong Machinery Co., Ltd.

No. 1 Liutai Road, Liuzhou, Guangxi 545007, PR China  
 T: +86 772 3886124 E: overseas@liugong.com  
 www.liugong.com

Specifications and designs are subject to change without notice. Machines shown may include optional equipment.

3/2015 Designed by LiuGong