

Engine	Cummins 6BTAA5.9-C170
Gross Power	125 kW (173 hp) @ 2,200 rpm
Net Power	115 kW (154 hp) @ 2,200 rpm
Operating Weight	12,700 kg
Standard Bucket Size	2.3 m ³
Standard Breakout Force	124 kN
Standard Dump Clearance	2,880 mm

842H

WHEEL LOADER

 **LIUGONG**



TOUGH WORLD. TOUGH EQUIPMENT.

842H SPECIFICATIONS >>>

ENGINE	
Emission Regulation	Tire 2 / Stage II
Make	Cummins
Model	6BTAA5.9-C170
Gross Power	125 kW (173 hp) @ 2,200 rpm
Net Power	115 kW (154 hp) @ 2,200 rpm
Peak Torque	800 N · m @ 1,400 rpm
Displacement	5.9 L
Number of Cylinder	6
Aspiration	Turbocharged & Air-to-air inter-cooled

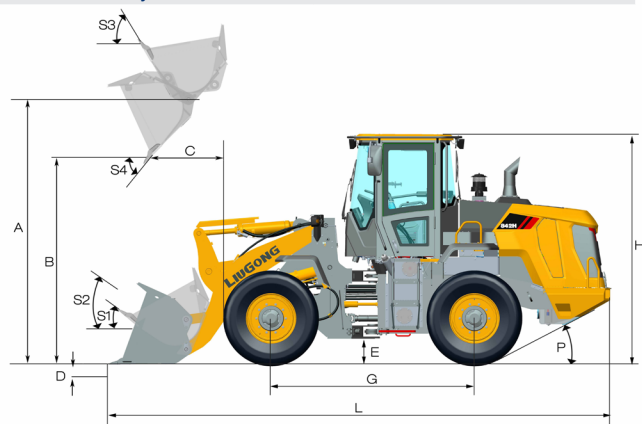
TRANSMISSION	
Transmission Type	Countershaft, power shift
Torque Converter	Single stage, three elements
Maximum Travel Speed, fwd	45 km/h
Maximum Travel Speed, rev	27.1 km/h
Number of Speed, fwd	4
Number of Speed, Rev	3

AXLES	
Differential Front Type	Conventional
Differential Rear Type	Conventional
Axle Oscillation	±10.5°

STEERING	
Steering Configuration	Articulated
Steering Relief Pressure	17.2 MPa

BRAKES	
Service Brake Type	Caliper discs brake
Service Brake Actuation	Air over hydraulic
Parking Brake Type	Flexible shaft control
Parking Brake Actuation	Mechanical

HYDRAULIC SYSTEM	
Main Pump Type	Gear
Main Relief Pressure	19 MPa
Raise	5.6 s
Dump Time	1.0 s
Float Down Time	3.0 s
Fastest Total Cycle Time	9.6 s



LOADER ARM PERFORMANCE with Standard Bucket 2.3 m ³	
Tipping Load - Straight according to ISO 14397-1:2007	9,600 kg
Tipping Load - Full Turn according to ISO 14397-1:2007	8,400 kg
Bucket Breakout Force	124 kN
A Maximum Hinge Pin Height	3,804 mm
B Dump Clearance at Full Height Discharge	2,880 mm
C Dump Reach at Full Height Discharge	1,108 mm
D Maximum Digging Depth, Bucket Level	45 mm
S ₁ Rollback at Ground Level	42°
S ₂ Bucket Rollback at Carry	48°
S ₃ Bucket Rollback at Maximum Height	61°
S ₄ Maximum Dump Angle at Full Height	45°

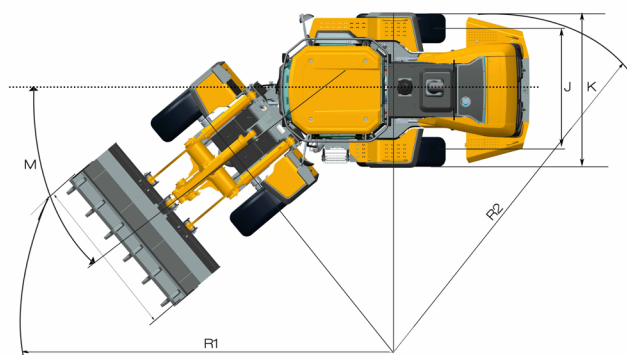
BUCKET PERFORMANCE	
Reference Bucket	1.8-4.0 m ³

DIMENSIONS	
E Ground Clearance	384 mm
G Wheelbase	3,000 mm
H Cab Height	3,300 mm
J Wheel Tread	1,950 mm
K Width Over Tires	2,480 mm
L Length with Bucket Down	7,572 mm
M Turn Angle, Either Side	40°
P Rear Angle of Departure	28°
R ₁ Turning Radius, Bucket Carry	5,951 mm
R ₂ Turning Radius, Outside of Tire	5,393 mm

TIRES	
Tire Size	20.5 - 25

OPERATING WEIGHTS	
Operating Weight	12,700 kg

SERVICE CAPACITY	
Fuel Tank	190 L
Engine Oil	17 L
Cooling System	28 L
Hydraulic System	115 L
Transmission and Torque Converter	45 L
Axles, Each	22 L



Guangxi Liugong Machinery Co., Ltd.

No. 1 Liutai Road, Liuzhou, Guangxi 545007, PR China
 T: +86 772 3886124 E: overseas@liugong.com
 www.liugong.com

01/2018 Designed by LiuGong

Specifications and designs are subject to change without notice. Machines shown may include optional equipment. LiuGong standard and optional equipment may vary from region to region. Please consult your LiuGong dealer for information specific to your area.