

Engine	Cummins 6BTAA5.9
Rated Power	118 kW (158 hp) @ 2,200 rpm
Nominal Amplitude Range	2.0 / 1.1 mm
Vibration Frequency Range	30 / 33 Hz
Centrifugal Force Range	300 / 220 kN
Working Width	2,130 mm
Operating Mass	14,000 kg

# 6614E ROLLER



TOUGH WORLD. TOUGH EQUIPMENT.

# 6614E SPECIFICATIONS >>>

## ENGINE

Emission Regulation	Tier 2 / Stage II
Make	Cummins
Model	6BTAA5.9
Rated Power	118 kW (158 hp) @ 2,200 rpm
Peak Torque	670 N·m
Number of Cylinders	6
Aspiration	Turbocharged & air-to-air inter-cooled
Cooling Type	Water

## ELECTRICAL SYSTEM

System Voltage	24 V
----------------	------

## DRIVE TRAIN

Theoretical Gradeability	50 %
Transmission Type	Hydraulic
Maximum Travel Speed, Fwd	12 km/h
Min. Outside Turning Radius	6,500 mm

## STEERING

Steering System	Hydraulic
Steering Method	Articulation
Steering Angle	± 35°
Steering Relief Pressure	16 MPa

## BRAKES

Service Brake Type	Hydraulic
Service Brake Actuation	Hydraulic
Parking Brake Actuation	Mechanical apply; Hydraulic release

## OPTIONAL EQUIPMENT

Padfoot Drum Segment Kit (PDH)
Rotary Beacon
Backup Alarm

## TIRES

Tire Size	23.1-26-12PR
Tire Tread	G - 23

## HYDRAULIC SYSTEM

Main Pump Type	Piston Pump
Main Relief Pressure	35 MPa

## PERFORMANCE

Static Linear Front Drum Load	383 N/cm
Number of Vibrating Drums	1
Nominal Amplitude Range	2.0 / 1.1 mm
Vibration Frequency Range	30 / 33 Hz
Centrifugal Force Range	300 / 220 kN
Number of Amplitude Settings	2

## OPERATING MASS

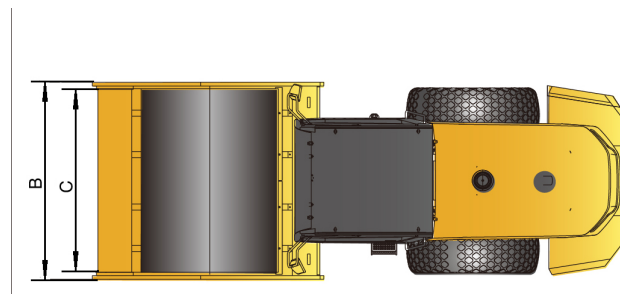
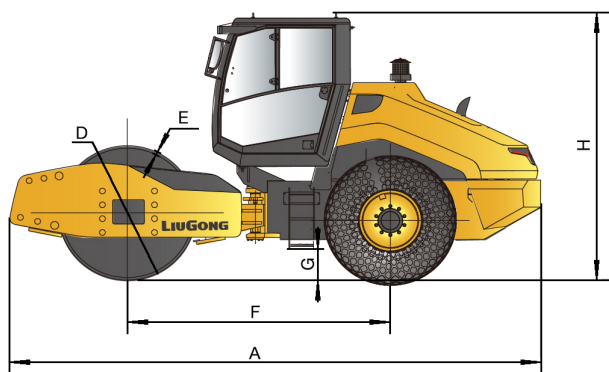
Operating Mass with Ballast	14,000 kg
Mass on Vibrating Drum	8,000 kg
Mass on Drive Axle	6,000 kg

## SERVICE CAPACITIES

Fuel Tank	200 L
Engine Oil	17 L
Cooling System	28 L

## DIMENSIONS

A Overall Length	6,000 mm
B Overall Width	2,280 mm
C Drum Width	2,130 mm
D Drum Diameter	1,555 mm
E Drum Thickness	30 mm
F Wheelbase	2,980 mm
G Min. Ground Clearance	470 mm
H Overall Height	3,080 mm



Guangxi Liugong Machinery Co., Ltd.

No. 1 Liutai Road, Liuzhou, Guangxi 545007, PR China  
T: +86 772 3886124 E: overseas@liugong.com  
www.liugong.com

Specifications and designs are subject to change without notice. Machines shown may include optional equipment. Liugong standard and optional equipment may vary from region to region. Please consult your Liugong dealer for information specific to your area.

05/2018 Designed by LiuGong  
Replace all previous versions before May, 2018