

Engine	Yanmar 4NV98T-ZNLYS
Gross Power	61.6 kW (82.6 hp) @ 2,400 rpm
Net Power	57.3 kW (76.8 hp) @ 2,400 rpm
Breakout Force	25 kN
Rated Load	955 kg
Bucket Capacity	0.5 m <sup>3</sup>
Operating Weight	3,420 kg

# 375A SKID STEER LOADER



TOUGH WORLD. TOUGH EQUIPMENT.

# 375A SPECIFICATIONS >>>

ENGINE	
Emission Regulation	Tier 3 / Stage IIIA
Make	Yanmar
Model	4NV98T-ZNLYS
Gross Power	61.6 kW (82.6 hp) @ 2,400 rpm
Net Power	57.3 kW (76.8 hp) @ 2,400 rpm
Peak Torque	293 N • m @ 1,550 rpm
Number of Cylinders	4
Displacement	3.3 L
Cooling Type	water

ELECTRICAL SYSTEM	
System Voltage	12 V
Alternator Output	80 amps

CHAIN TANK	
Drive Chain Size	100 HS

TIRES	
Ply Type	pneumatic
Tire Size	12 - 16.5
Ply Rating	10

HYDRAULIC SYSTEM		
System Type	open	
Standard Flow	84.3 L/min	
Optional High Flow	122.1 L/min	
Traveling Hydrostatic Pressure	32 MPa	
Working Hydrostatic Pressure	20.7 MPa	
Hydraulic Cycle Time, total	8.4 s	
Raise	Dump	Lower (float down)
4.1 s	2.1 s	2.2 s

OPERATING WEIGHT	
Operating Weight	3,420 kg

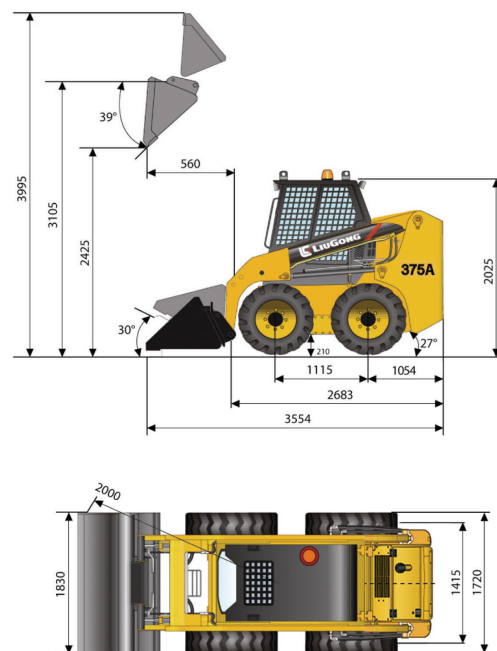
PERFORMANCE	
Static Tipping Load	1,910 kg
Rated Load	955 kg
Boom Breakout Force	22 kN
Bucket Breakout Force	25 kN
Dump Clearance at Full Height Discharge	2,425 mm
Dump Reach at Full Height Discharge	560 mm
Maximum Dump Angle at Full Height	39°
Maximum Hinge Pin Height	3,105 mm
Bucket Rollback at Ground Level	30°
Ground Clearance	210 mm
Angle of Departure	27°
Front Clearance Radius	2,000 mm

SERVICE CAPACITIES	
Fuel Tank	80 L
Engine Oil	10.4 L
Cooling System	20 L
Hydraulic Reservoir	56 L
Hydraulic System Total	60 L
Chain Tanks, Each	12 L

OPTIONAL ATTACHMENTS	
4 in 1 Bucket – 0.4 m <sup>3</sup>	Auger
Rocket Bucket – 0.4 m <sup>3</sup>	Cold Planer
Scrap Bucket – 350 mm to 650 mm	Snow Blade
Hydraulic Hammer	Pick - up Sweeper
Fork	Hydraulic Shear
Lift Boom	Trencher

STANDARD EQUIPMENT	
General Bucket - 0.5 m <sup>3</sup>	
Control Safety Interlock	
Boom Interlock	
Quick Coupler	
Enclosed ROPS / FOPS Cab with AC	
Auxiliary High Flow – 122 L/min	

OPTIONAL EQUIPMENT	
Open ROPS / FOPS Cab	
Flow Standard – 84.3 L/min	
Solid Tire	
Tire Chains	



Unit: mm

## Guangxi Liugong Machinery Co., Ltd.

No. 1 Liutai Road, Liuzhou, Guangxi 545007, PR China  
 T: +86 772 3886124 E: overseas@liugong.com  
 www.liugong.com

05/2014 Designed by Liugong

Specifications and designs are subject to change without notice. Machines shown may include optional equipment.